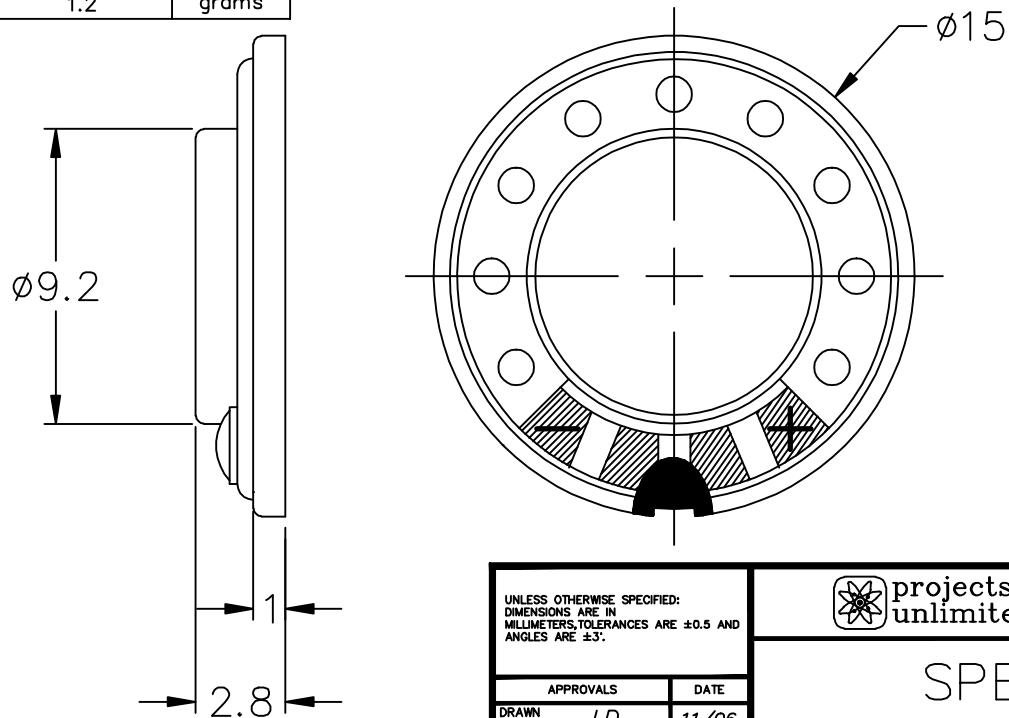


THIS DOCUMENT CONTAINS DATA PROPRIETARY TO PROJECTS UNLIMITED, INC. ANY USE OR REPRODUCTION, IN ANY FORM, WITHOUT PRIOR WRITTEN PERMISSION OF PROJECTS UNLIMITED, INC. IS PROHIBITED.
 ©2005, Projects Unlimited Inc.

SPECIFICATIONS

PARAMETERS	VALUES	UNITS
RATED INPUT POWER	0.3	W
MAX INPUT POWER	0.5	W
IMPEDANCE	8±15%	OHM
OUTPUT SPL @ 0.1W/0.1M (AT 1.0, 1.2, 1.5, 2.0 kHz)	88±3	dBA
DISTORTION (MAX.)	10%	-
RESONANT FREQUENCY	900±20%	Hz
FREQUENCY RANGE	900 ~ 20000	Hz
HOUSING MATERIAL	METAL	-
CONE MATERIAL	MYLAR	-
MAGNET MATERIAL	Nd-Fe-B	-
OPERATING TEMPERATURE	-20 ~ +85	°C
WEIGHT	1.2	grams


REVISIONS			
LTR	DESCRIPTION	DATE	APPROVED
-	RELEASED FROM ENGINEERING	11/27/06	



NOTES:

1. ALL DIMENSIONS ARE IN MILLIMETERS.
2. SPECIFICATION SUBJECT TO CHANGE OR WITHDRAWAL WITHOUT NOTICE.
3. THIS PART IS RoHS 2002/95/EC COMPLIANT.

FILE NAME
AS01508MR-3-R.DWG

UNLESS OTHERWISE SPECIFIED: DIMENSIONS ARE IN MILLIMETERS, TOLERANCES ARE ±0.5 AND ANGLES ARE ±3°.		 projects® unlimited Dayton, Ohio									
<table border="1"> <thead> <tr> <th>APPROVALS</th> <th>DATE</th> </tr> </thead> <tbody> <tr> <td>DRAWN <i>J.D.</i></td> <td>11/06</td> </tr> <tr> <td>CHECKED <i>D.F.</i></td> <td>12/06</td> </tr> <tr> <td>APPROVED <i>R.W.</i></td> <td>12/06</td> </tr> </tbody> </table>		APPROVALS	DATE	DRAWN <i>J.D.</i>	11/06	CHECKED <i>D.F.</i>	12/06	APPROVED <i>R.W.</i>	12/06	SPEAKER	
		APPROVALS	DATE								
		DRAWN <i>J.D.</i>	11/06								
CHECKED <i>D.F.</i>	12/06										
APPROVED <i>R.W.</i>	12/06										
SIZE A	DRAWING NO. AS01508MR-3-R										
DO NOT SCALE DRAWING		SCALE: N.T.S.	SHEET 1 OF 1								